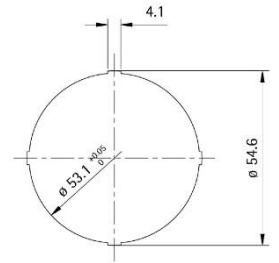
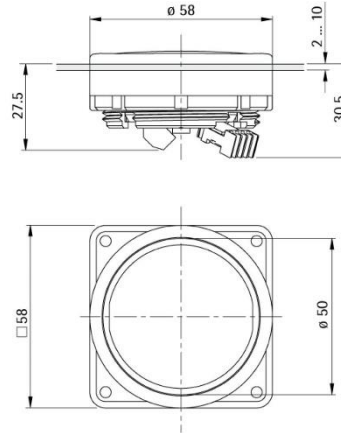


# PUSHBUTTON B50R

SCHAEFER 



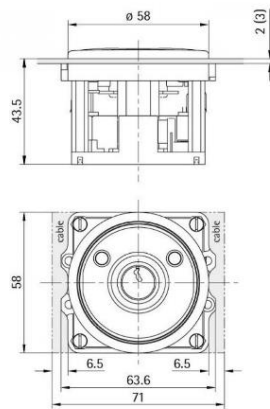
B50R

REAR VIEW

DIMENSION

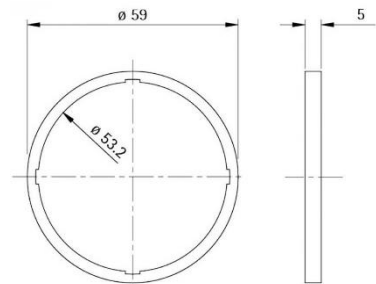
CUTOUT

## KEY 50R



DIMENSION

## RING 50R



DIMENSION